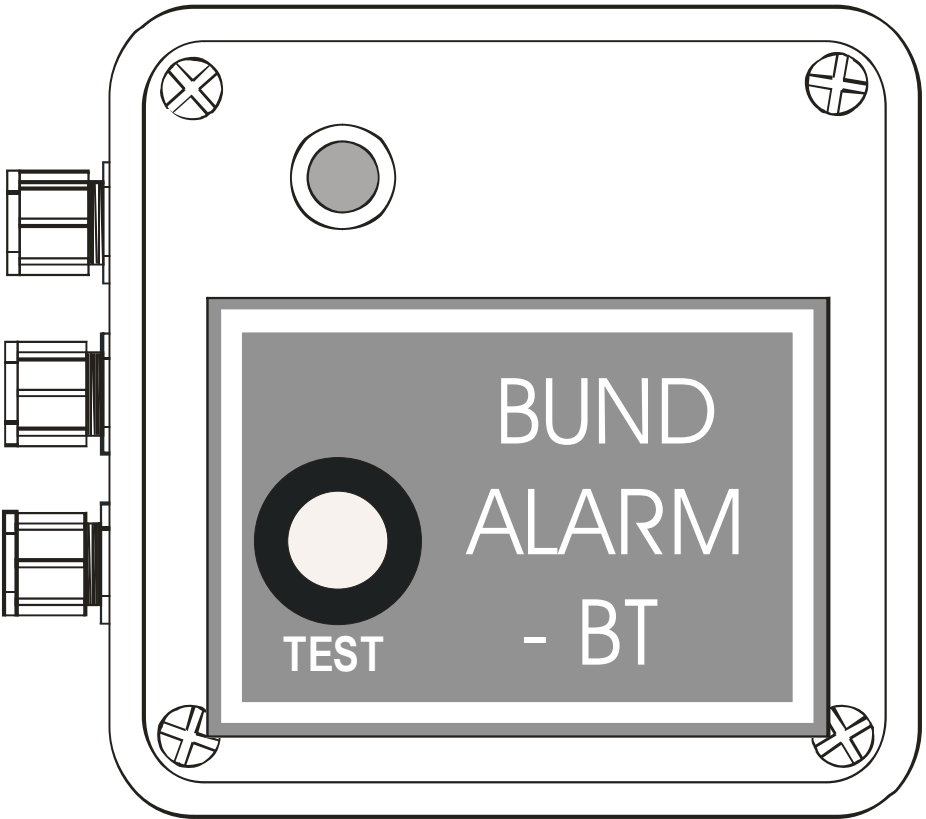


Instructions

# Mains BT Bund Alarm



## Installation

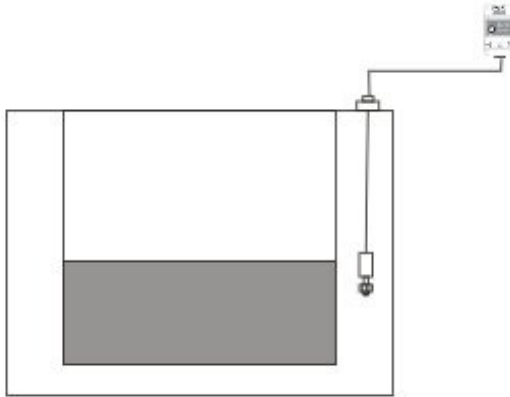
**⚠ WARNING: Electricity Can Kill**

**Before** connecting the alarm

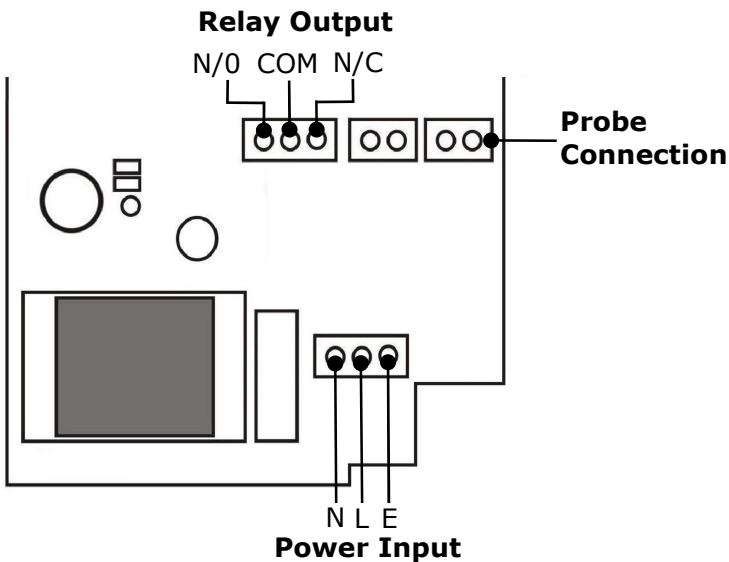
**Always** disconnect the supply at the consumer unit

If in **any** doubt consult a qualified electrician.

## Location (Diagram)



## Layout (Diagram)



## Installation

1. This device is designed to be installed in exposed locations; however, care must be taken when removing or fitting the front panel not to damage the integral seal allowing water ingress.
2. To remove the front panel, release the four metal screws located in the front panel recesses.
3. Remove the two knockout sections on the rear half of the enclosure and use the four holes created as a template to mark the mounting surface which should be flat in order that distortion of the enclosure resulting in water ingress does not occur.
4. Mount the rear half of the enclosure with the cable entry glands on the left.
5. Having mounted the sensor probe in the storage tank to be monitored, pass the sensor cable through the cable entry gland. The two wires inside the sensor cable are then attached to the 'probe connection' (see layout diagram for location). Polarity is not important.
6. It is important to take basic safety precautions and ensure the **power supply is disconnected** during wiring. Next find the 'power input', the board is printed with N, L and E, which stands for Neutral, Live and Earth. Therefore, the blue wire goes to the far left (neutral), brown goes to the middle (live) and the yellow/green earth wire goes to the right (earth).
7. The front panel may now be refitted securely ensuring that no damage occurs to the integral seal.
8. Apply power. The lamp should operate upon pressing the test button, failure indicates that either there is a problem with the mains or the unit.
9. Test unit periodically by pressing test button.

**On alarm the Lamp is activated, the only way to turn the lamp off is by rectifying the problem (i.e. pumping the fuel from the bund.)**

## Technical Specifications

|                    |                              |
|--------------------|------------------------------|
| <b>Enclosure</b>   |                              |
| Size (L x H x D)   | 105 x 170 x 98 mm            |
| Rating             | IP55                         |
| Colour             | Light Grey RAL 7035          |
| Material           | GW Plastic                   |
| Power Requirements | 240V AC (Mains)              |
| <b>Probe</b>       |                              |
| Cable Length       | 5 Metres                     |
| Material           | Nylon                        |
| Contact Resistance | 25mΩ                         |
| Max. Current       | 6mA @ 250V AC                |
|                    | 15mA @ 100V DC               |
| Life Expectancy    | 30 <sub>E</sub> 6 Operations |
| <b>Float</b>       |                              |
| Material           | Nylon                        |
| Specific Gravity   | 0.70                         |
| <b>Light</b>       |                              |
| Volts / Watts      | 12V DC / 1 Watt              |
| Lens               | Red                          |
| Lamp               | T1.5 LES (E5) 80mA           |
| <b>Relay</b>       |                              |
|                    | 10A (250V AC/30V DC)         |

**Metcraft Tanks Ltd**, Harwood Industrial Estate,  
Littlehampton, West Sussex. BN17 7BB



Tel: **01903 714226** Fax: **01903 723206**